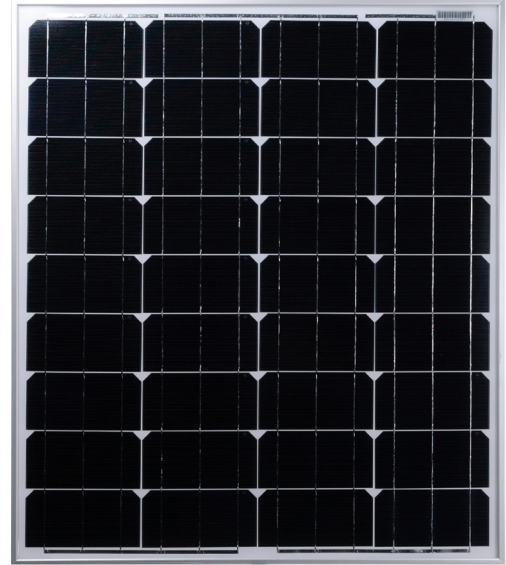


Reliable

The CTI-80 Solar Module from Carmanah is a high-efficiency monocrystalline solar module that provides outstanding performance and cost-effective solar power for high-end off-grid and mobile application. Carmanah's CTI-80 Solar Module is built to last and features a 25-year limited power output warranty.

Durable

To ensure long life, the high-efficiency solar cells are encapsulated between a special tempered, low-iron solar glass and a Tedlar®/polyester backing material. The mounting frame, manufactured from anodized marine-grade aluminum, allows the CTI-80 to be installed in extreme conditions.



CTI-80 SOLAR MODULE

The CTI-80 is ideal for:

- RV/Marine
- 12/24 Volt battery systems
- OEM
- Security Trailers
- Telecommunications
- Stand-alone or grid connected applications
- Signaling systems
- Remote telemetry
- Water pumping
- Other off-grid applications



Features:

- Compact and rugged design
- Plug and play junction box
- Lightweight anodized aluminum frame
- High transmissivity tempered glass
- Industry standard quick-connect cables (MC4) work in series or in parallel
- 25 year limited power output warranty

REPRESENTED IN YOUR REGION BY:



CTI-80

SOLAR MODULE

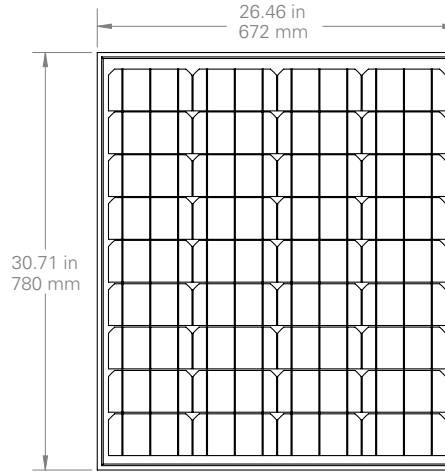
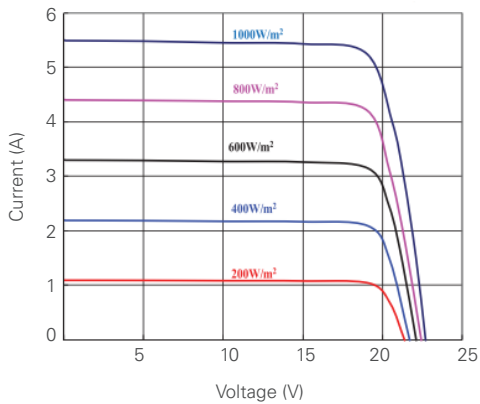
SPECIFICATIONS

Rated power (Pm)	80W
Maximum power voltage (Vmp)	18.4V
Maximum power current (Imp)	4.35A
Open circuit voltage (Voc)	22.8V
Short circuit current (Isc)	4.60A
Max power tolerance	±3%
Cell type	Monocrystalline
Module efficiency	15.9%
Series fuse rating	10A
Max system voltage	1000VDC
Weight	13.2 lb (6 kg)
Dimensions	30.71 x 26.46 x 1.38 in 780 x 672 x 35 mm
Frame type / material	Clear anodized aluminum frame

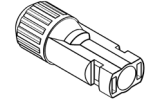
Power Specifications calculated at STC:

- Irradiance: 1000 W/m²
- Cell Temperature: 77 °F (25 °C)
- Air Mass: 1.5

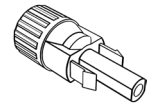
IV CURVE PARAMETERS



Front Profile

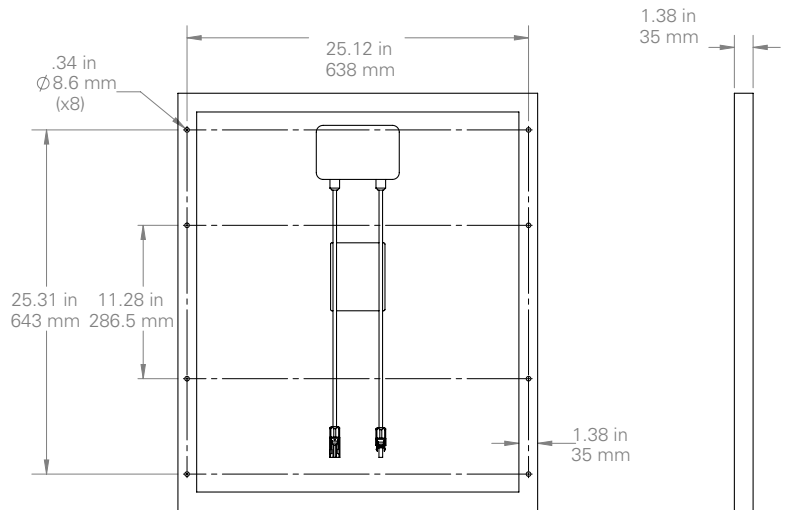


MC4 Negative



MC4 Positive

MC4 Connectors



Back Profile

Side Profile

Specifications subject to local environmental conditions.
Specifications may be subject to change.

“Carmanah” and Carmanah logo are trademarks of Carmanah Technologies Corp.
Carmanah is a Canadian public corporation - TSX-CMH

© 2015, Carmanah Technologies Corp.
Document: SPEC_CTI-80_RevD